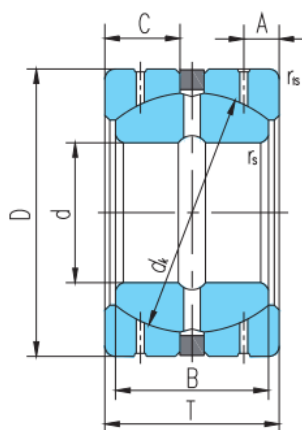
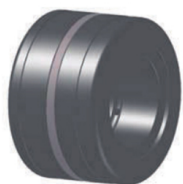


# GEGZ...HS/K (d 12.7~152.4)



Seleccione	Consulta	Número de rodamiento	Dimensiones (mm)										Clasificación de carga básica (kN)		Peso corazón kg
			dk	D	segundo	do:	T	R:	d <sub>k</sub>	r <sub>s</sub> min	r <sub>1s</sub> min	cr	corazón		
GEGZ31HS/K	31.750	61.913	35.306	16.764	38.1	7.925	54.7	1	2.5	99	395	0.363			
GEGZ31HS/K	1.25	2.4375	139	0.66	1.5	0.312	2.154	0.04	0.1	99	395	0.363			
GEGZ38HS/K	38.100	71.438	40.132	20.066	44.704	8.331	63.9	1	2.5	135	540	0.545			
GEGZ38HS/K	1.5	2.8125	1.58	0.79	1.76	0.328	2.516	0.04	0.1	135	540	0.545			
GEGZ44HS/K	44.450	80.963	46.228	23.368	51.308	9.525	73	1.5	3.5	180	720	0.976			
GEGZ44HS/K	1.75	3.1875	1.82	0.92	2.02	0.375	2.874	0.06	0.14	180	720	0.976			
GEGZ50HS/K	50.800	90.488	52.578	26.67	57.912	11.506	82	1.5	3.5	230	920	1.38			
GEGZ50HS/K	2	3.5625	2.07	1.05	2.28	0.453	3.228	0.06	0.14	230	920	1.38			
GEGZ57HS/K	57.150	100.013	58.877	29.972	64.516	12.7	92	1.5	3.5	295	1180	1.90			
GEGZ57HS/K	2.25	3.9375	2.318	1.18	2.54	0.5	3.622	0.06	0.14	295	1180	1.90			
GEGZ63HS/K	63.500	111.125	64.643	32.385	71.12	13.081	100	2	4.5	345	1380	2.57			
GEGZ63HS/K	2.5	4.375	2.545	1.275	2.8	0.515	3.937	0.08	0.18	345	1380	2.57			
GEGZ69HS/K	69.850	120.650	70.866	35.687	77.724	14.681	109.5	2	4.5	420	1680	3.43			
GEGZ69HS/K	2.75	4.75	2.79	1.405	3.06	0.578	4.311	0.08	0.18	420	1680	3.43			
GEGZ76HS/K	76.200	130.175	76.759	39.243	84.836	16.662	119	2	4.5	500	2000	4.41			
GEGZ76HS/K	3	5.125	3.022	1.545	3.34	0.656	4.685	0.08	0.18	500	2000	4.41			
GEGZ82HS/K	82.550	139.700	82.931	42.545	91.44	17.856	128	2	4.5	585	2340	5.56			
GEGZ82HS/K	3.25	5.5	3.265	1.675	3.6	0.703	5.039	0.08	0.18	585	2340	5.56			
GEGZ88HS/K	88.900	149.225	90.424	45.847	98.044	19.431	137	2	4.5	675	2700	6.86			
GEGZ88HS/K	3.5	5.875	3.56	1.805	3.86	0.765	5.394	0.08	0.18	675	2700	6.86			
GEGZ95HS/K	95.250	158.750	94.945	49.149	104.648	19.837	146	2	4.5	775	3100	8.36			
GEGZ95HS/K	3.75	6.25	3.738	1.935	4.12	0.781	5.748	0.08	0.18	775	3100	8.36			
GEGZ101HS/K	101.600	177.800	107.315	55.753	117.856	22.225	164.5	2	4.5	1000	4000	10			
GEGZ101HS/K	4	7	4.225	2.195	4.64	0.875	6.476	0.08	0.18	1000	4000	10			
GEGZ114HS/K	114.300	196.850	119.126	62.357	131.064	25.4	183	2	4.5	1230	4920	14.88			
GEGZ114HS/K	4.5	7.75	4.69	2.455	5.16	1	7.205	0.08	0.18	1230	4920	14.88			

GEGZ...HS/K (d 12.7~152.4)

GEGZ139HS/K	139.700	222.250	125.730	66.421	139.192	34.798	207	2	4.5	1480	5920	21.79
GEGZ139HS/K	5.5	8.75	4.95	2.615	5.48	137	8.15	0.08	0.18	1480	5920	21.79